



**Models**  
**MK 348**  
**MK 528**

with cross reference for models:

**26-MK34C**    **26-MK52C**  
**26-MK34D**    **26-MK52D**  
**26-MK34F**    **26-MK52F**

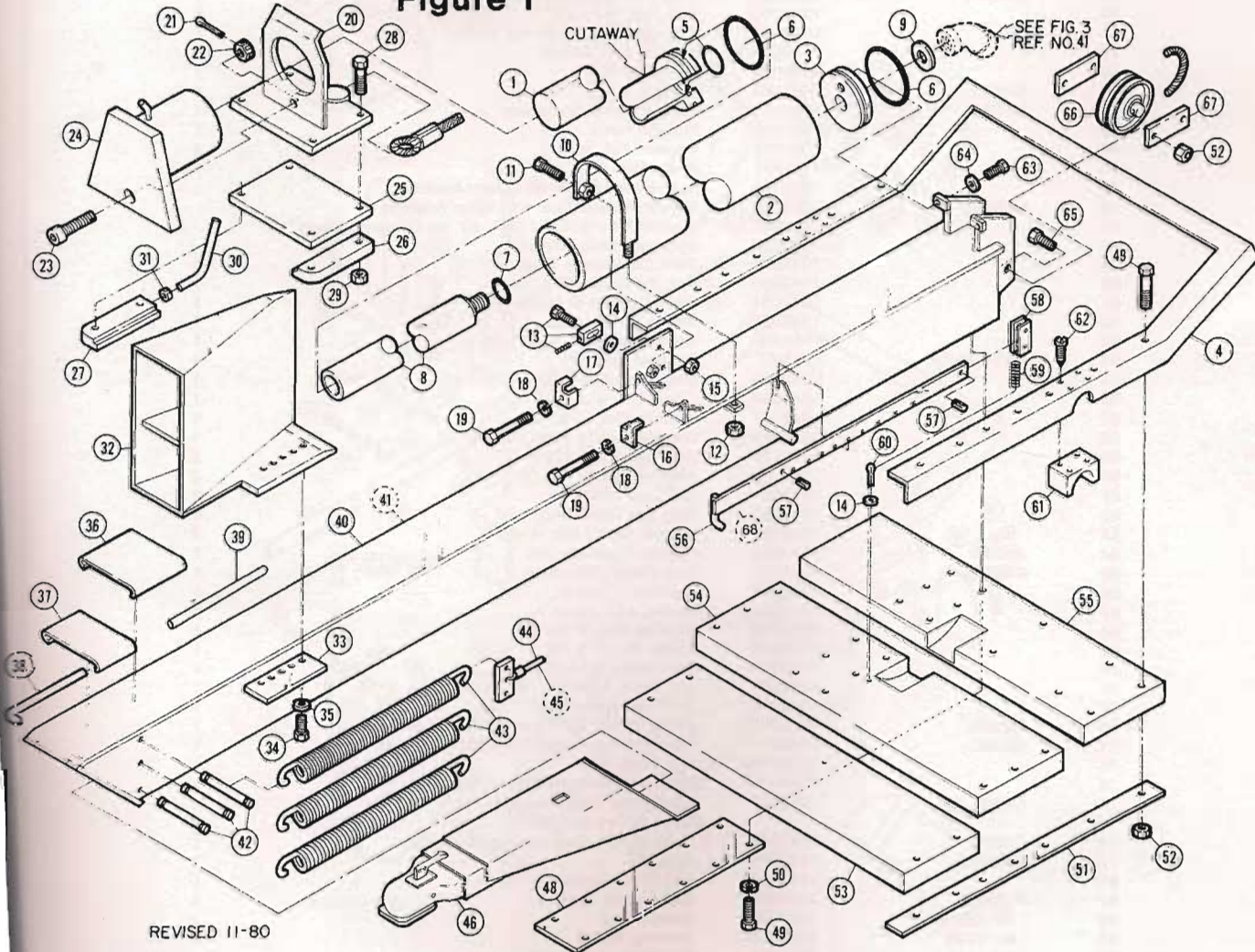
**MK 348/MK 528 Figure 1**

REF. NO.	OLD PART NUMBER	NEW PART NUMBER	DESCRIPTION	QTY. USED
11	EMC	1041001	Ram tube Assembly	1
12	EMC	1041002	Outer Cylinder	1
13	EMC	1031052	Cylinder, Head, Back Plate	1
14	EMC	1041004	Pan Frame	1
15		1041005	"O" Ring 329	1
16		1031044	"O" Ring 425	2
17		1041007	"O" Ring 123	1
18	EMC	1041008	Inner Cylinder	1
19	EMC	1041009	Spacer, Inner Cylinder	1
20	EMC	1031002	Strap, Cylinder Hold Down	1
21		1041011	Bolt, Hex Head, 5/16-18x1"	1
22		1041012	Nut, Lock, 5/16-18	1
23	AWB	1041013	Starter Block Assembly	1
24		1041014	Washer, Flat, 3/16 ID	2
25		1041015	Nut, Lock, 1032	1
26	AWCL	1031039	Hold Back Clamp, Left Side	1
27	AWCR	1031040	Hold Back Clamp, Right Side	1
28		1031042	Washer, Split Lock, 1/4-20	2
29		1031041	Bolt, Hex Head, 1/4-20x2 1/2"	2
30	EMC	1031036	Ram Guide	1
31		1031034	Cotter Pin, 1/8"	1
32		1031033	Nut, Castellated, 1/2-13	1
33		1031032	Bolt, Socket Head, 1/2"-13x2"	1
34	EMC	1031036	Ram Platen	1
35	AWC7	1031037	Wear Plate, Brass	1
36	AWCL	1031028	Shoe, Left	1
37	AWCR	1031029	Shoe, Right	1
38		1031031	Bolt, Hex Head, 3/8-24x1 1/2"	4
39		1041029	Nut, Lock, 3/8-24	4
40		1041030	Rod, Auto-Stroke, Flexible No Longer Available	
41		1041031	Bushing, Auto-stroke rod No Longer Available	
42	RMS2H12	1041032	Wedge, 12" Moveable (Standard) Price on request	1
43	AMS2A2	1041033	Clamp, Wedge	2
44		1041034	Bolt, Hex Head, 1/2-13x1 1/4"	10
45		1041035	Washer, Split Lock, 1/2" ID	10
46	AMS4C4	1041036	Spacer, Wedge, 4" (1 used on MK348)- (6 used on MK528)	
47	AMS4C2	1041037	Spacer, Wedge, 2" (1 used on MK348)- (None used on MK528)	
48	AMS4C22	1041038	Locking Rod for Wedge Spacer-8"- Used on MK348 and MK528	1
49	AMS4C9	1041039	Locking Rod for Wedge Spacer-10"- Used only on MK528	1
50	RMS2L34	1041040	Frame, MK348-Shown	1
51	RMS2L52	1031017	Frame, MK528-Not Shown	1
52	AWS3H4	1031018	Pins, Retainer, Ram Return Spring	3
53	NWS3G4	1031019	Spring, Ram Return	3
54	AMS3G34	1041044	Cable Assembly, Ram Return-MK348	1
55	AMS3G52	1041045	Cable Assembly, Ram Return-MK528, (Not Shown)	1
56	DMB16	1041046	Hitch and Coupler, 1 3/8" with Hardware	1
57		1041047	Ball, 1 3/8" for Coupler (Not Shown)	1
58		1041048	Plate, Pan Support	1
59		1041049	Bolt, Hex Head, 3/8-16 x 2 1/4"	26
60		1041050	Washer, Split Lock, 3/8" ID	12
61		1041051	Side Pan Strips, Support	2
62		1041052	Nut, Lock, 3/8-16	16
63		1041053	Pan Frame Support-Front	1
64		1041054	Pan Frame Support-Center	1
65		1041055	Pan Frame Support-Rear	1
66	BWS6K	1041056	Control Arm, Ram Return Stroke (MK348)	1
67		1041057	Roll Pin, 3/16 x 7/8"	2
68	AWS6K	1041058	Support, Control Arm, Ram Return Stroke	1
69		1041059	Spring, Guide, #75 Jones	1
70		1041060	Cotter Pin, 1/8 x 2"	1
71	AWS9P9	1041061	Axle Retaining Block	2
72		1041062	Screw, Self Tapping	8
73		1041063	Bolt, Socket Head, 3/8-16 x 3/4"	2
74		1041064	Washers, Internal tooth, Locks	2
75		1041065	Bolt, Hex Head, 3/8-16 x 1 1/2"	2
76	AWS3G3	1031010	Pulley, Ram Return Cable	1
77	AWS3H2	1031009	Link, Mounting, Pulley	2
78	BMS6K	1041068	Control Arm, Ram Return Stroke (MK528)	1

MK 348/MK 528 Figure 1 - Sub Assembly Groups

REF NBR	ORDER BY PART NBR	INCLUDES	DESCRIPTION	QTY USED
75	1041075	{ 1041005 1031044 1041007	329 O Ring 425 O Ring 123 O Ring	1 2 1
76	1041076	{ 1031037 1031028 1031029	Wear Plate Shoe, Left Shoe, Right	1 1 1
77	1041077	{ 1031039 1031040 1031042 1031041	Clamp, Left Clamp, Right Washer Bolt	1 1 2 2
78	1041078	{ 1041052 1041065 1031010 1031009	Nut, Lock Bolt, Hex Pulley Link, Pulley	2 2 1 2
79	1041079	{ 1041001 1041002 1041003 1041008 1041009	Ram Tube Outer Cylinder Cyl. Head Inner Cyl. Spacer, Inner Cyl.	1 1 1 1 1

MK 348/MK 528  
Figure 1



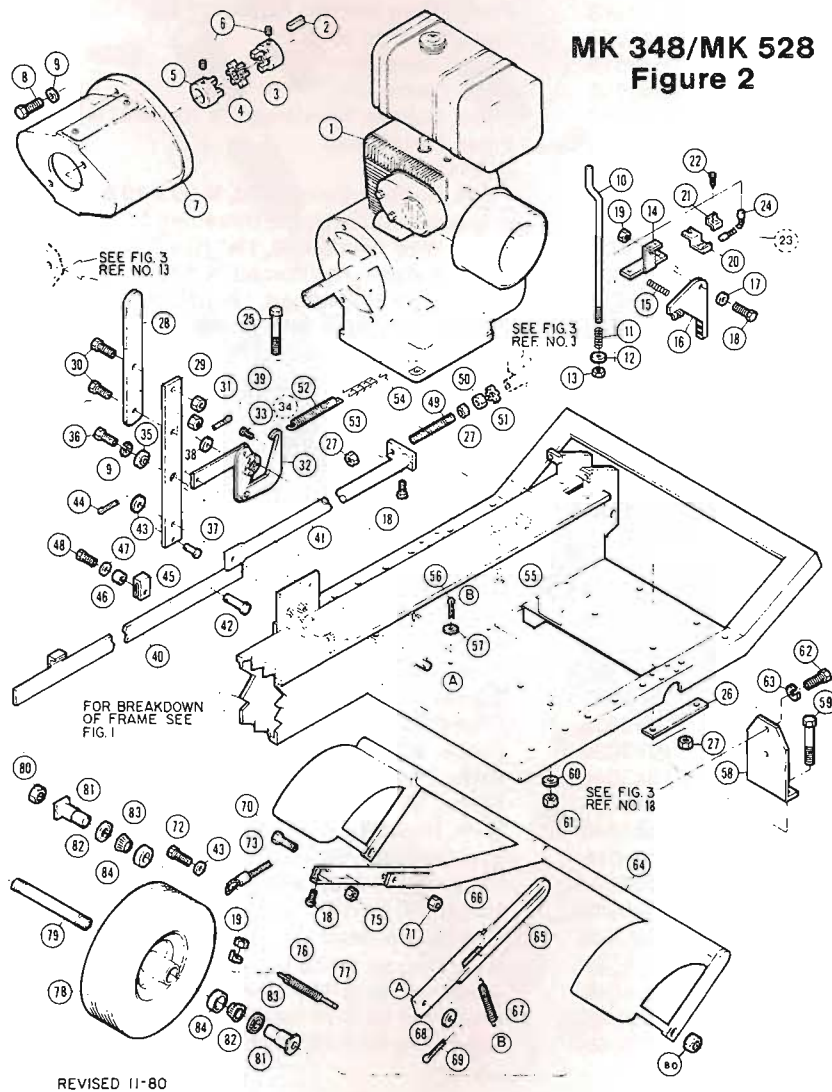
REVISED 11-80

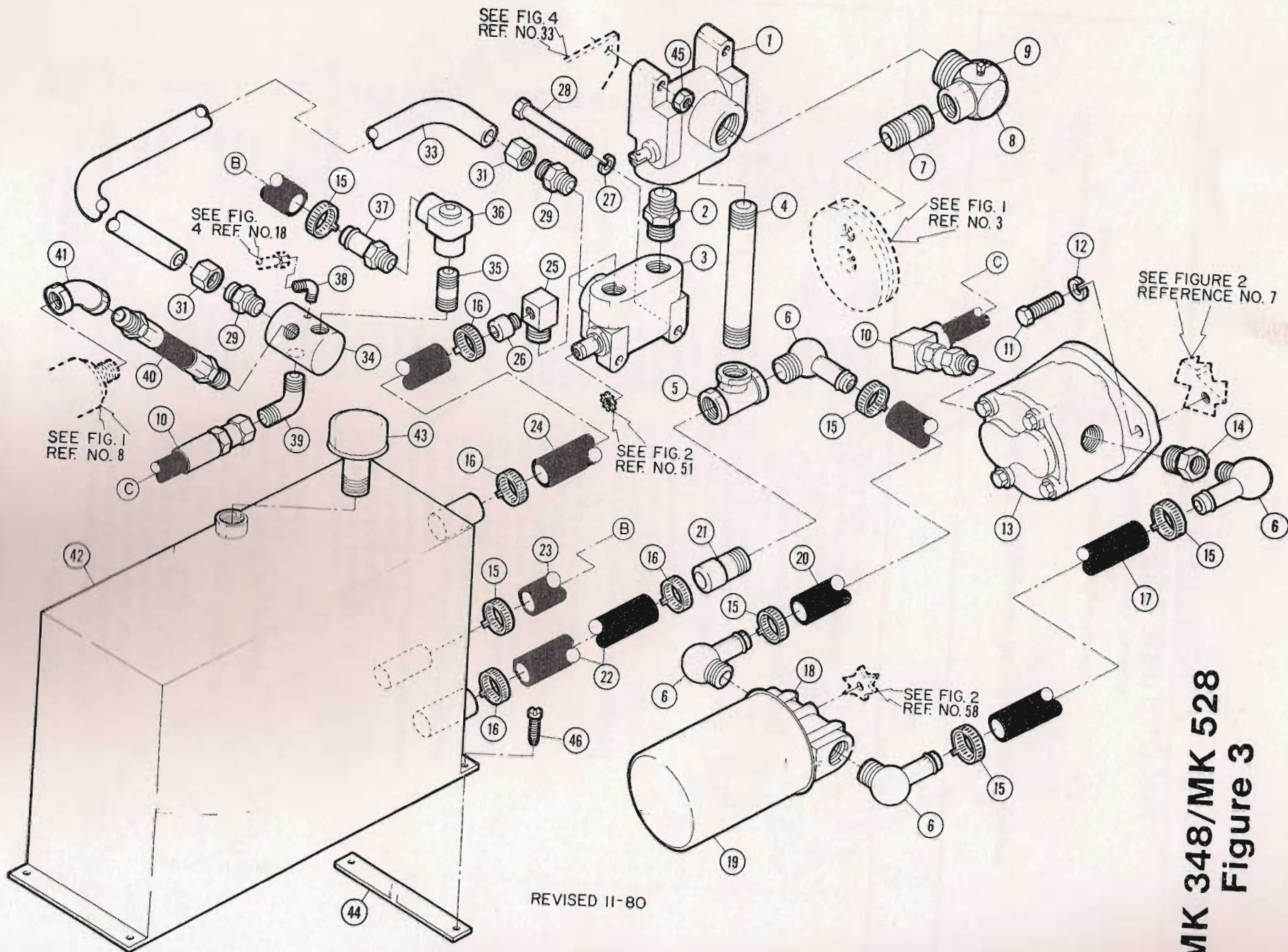
**MK 348/MK 528 Figure 2**

REF NBR	OLD PART NUMBER	NEW PART NUMBER	DESCRIPTION	QTY USED
2-1		1031059	Engine, 8 h.p. Kohler, K181PT Price on request	1
2	AWS8P3-200	1031065	Key, Engine Shaft, 1/4"	1
3		1031102	Coupler, Engine Shaft, 1" ID	1
4		1031068	Spider gear	1
5		1031067	Coupler, Pump Shaft, 5/8" ID	1
6		1031066	Set Screw, Coupler	2
7	BMB3	1031069	Pump Mount	1
8		1031070	Bolt, Hex Head, 3/8-16 x 3/4	4
9		1042009	Washer, Split Lock, 3/8-16	5
10	AWS8T5	1031072	Idler Rod, Engine	1
11	#1	1031073	Spring, Idler Rod	1
12	AN960-4L	1031074	Washer, Flat, Idler Rod, #5-40	1
13	21FA-540	1031075	Nut, Lock, Idler Rod	1
14	AWS8T2	1031076	Idler Mounting Bracket	1
15	#301	1031077	Spring, #301 Jones	1
16	AWS8T3	1031078	Idler Lever	1
17	AWS8T4	1031079	Pivot Bushing for Idler Lever	1
18		1042018	Bolt, Slotted Screw Head, 1032-3/8"	3
19		1042019	Nut, Lock, 1032	2
20	AWS8T22	1031080	Cable Mount	1
21	AWS8T23	1042021	Cable Clamp for Casing	1
22		1042022	Screw, Self-tapping metal	2
23	AWS8T	1031103	Housing, Throttle Cable-(Not shown)	1
24	AWS8TA	1031082	Throttle Cable (Fits inside of housing)	1
25		1042025	Bolts, Hex Head, 3/8-16 x 2 3/4"	4
26		1042026	Plate, Motor Mount	2
27		1042027	Nut, Lock, 3/8-16	6
28	BWS6A-3	1031038	Control Lever, Upper	1
29	BWS6A-2	1031049	Control Lever, Lower	1
30		1042030	Bolt, Hex Head, 5/16-18 x 3/8"	2
31		1042031	Nuts, Lock, 5/16-18	2
32	DWS6DA	1031054	Latch Return Assembly	1
33		1042033	Screw, Slot Head, 1/4-20 x 3/8"	6
34		1042034	Washer, Lock for 1042033 (Not Shown)	6
35	AWS6A4	1031053	Pivot Bushing, Lower Control Lever	1
36		1042036	Bolt, Hex, 3/8-16 x 1"	1
37		1042037	Pin, Flat Head, Retaining, AN394	1
38		1042038	Washer, Flat, AN690	1
39		1042039	Cotter Pin	1
40	BMC12	1031046	Outstop Arm	1
41	BWS6E	1042041	Valve Arm, In-Out Control	1
42		1031048	Pin, Flat Head	1
43		1031050	Washer, Flat, 3/8 ID	2
44		1031051	Cotter Pin,	1
45		1042045	Auto-Stroke Block No Longer Available	
46	AMS6R2	1042046	Spacer, Auto-Stroke No Longer Available	
47		1042047	Washer, Flat, 3/4" OD-17/64" ID No Longer Available	
48		1042048	Bolt, Hex Head, AN410A	
49		1042049	Stud, Continuous Thread	1
50		1042050	Nut, 3/8-16, Standard	1
51		1042051	Washer, External Tooth, 3/8 ID	1
52		1042052	Spring #130 Jones	1
53		1031056	Boston Ladder	1
54	AWS6D2-200	1031057	Retainer Hook	1
55		1042055	Bolt, Slot Head Screw, 1032-1 1/2"	1
56		1042056	Cotter Pin, 3/8" x 2"	1
57		1042057	Washer, Flat, 3/16" ID	1
58		1042058	Plate, Mounting Filter Adapter	1
59		1042059	Bolt, Hex Head, 1/4-20 x 2"	2
60		1042060	Washer, Flat, 1/4" ID	2
61		1042061	Nut, Lock 1/4-20	2
62		1042062	Bolt, Hex Head, 1/4-20 x 1/2"	2
63		1042063	Washer, Split Lock, 1/4 -20	2
64	JMS9A	1042064	Fender Assembly Unit	1
65	BWS9C	1042065	Arm, Wheel Retraction	1
66		1042066	Roll Pin, 3/16 x 3/8"	1
67		1042067	Spring, #97 Jones	1
68		1042068	Washer, Flat, 1/2" ID	1
69		1042069	Cotter Pin, 1/8" x 1 1/2"	1
70		1042070	Bolt, Head, 7/16-20 x 2"	1
71		1042071	Nut, Lock, 7/16-20	1
72		1042072	Bolt, Hex Head, 3/8-24 x 1"	1
73	AMS9G	1042073	Cable, Wheel Retraction-MK348	1
74	AWS9G	1042074	Cable, Wheel Retraction-MK528 (Not Shown)	1
75		1042075	Nut, Lock, 3/8-24	1
76		1042076	Washer, Special for Lifter Hook	1
77	AWS9L-100	1042077	Spring and Lifter Hook Assembly (Sold as One Unit Only)	1
78	C102M	1042078	Tire and Rim (Sold as One Unit Only)	2
79	AMS9B2	1042079	Axle	2
80		1042080	Nut, Lock (Special 1/2" cut Nut)	2
81	ALS9B5	1042081	Axle Sleeve, Special	4
82	178HDR14	2011038	Grease Seal	4
83	LM-11949	2011039	Bearing, Wheel	4
84	LM-11910	2011040	Race, Wheel Bearing	4

MK 348/MK 528 Figure 2 - Sub Assembly Groups

REF NBR	ORDER BY PART NBR	INCLUDES	DESCRIPTION	QTY USED
85	1042085	1042081	Axle Sleeve	2
		2011038	Grease Seal	2
		2011039	Bearing, Wheel	2
		2011040	Race, Wheel Bearing	2
86	1042086	1031072	Idler Rod, Engine	1
		1031073	Spring, Idler Rod	1
		1031074	Washer, Flat, Idler Rod	1
		1031075	Nut, Lock, Idler Rod	1
		1031076	Idler Mounting Bracket	1
		1031077	Spring, #301 Jones	1
		1031078	Idler Lever	1
		1031079	Pivot Bushing for Idler	1
		1042018	Bolt, Slotted Screw Head	3
		1042019	Nut, Lock, 1032	2
		1031080	Cable Mount	1
		1042021	Cable Clamp for Casing	1
		1042022	Screw, Self-Tapping, Metal	1
		1031103	Housing, Throttle Cable	1
		131082	Throttle Cable	1
87	1042087	1031065	Key, Engine Shaft	1
		1031002	Coupler, Engine Shaft, 1" ID	1
		1031068	Spider Gear	1
		1031067	Coupler, Pump shaft, 5/8" ID	1
		1031066	Set Screw, Coupler	2





REVISED 11-80

**MK 348/MK 528  
Figure 3**

**MK 348/MK 528 Figure 4**

REF NBR	OLD PART NUMBER	NEW PART NUMBER	DESCRIPTION	QTY USED
4-1	AWS6C4	1044001	Spring retainer, Rear, 3/4" ID-1 9/16" OD	1
2		1044002	Washer, Flat, Special AN945-4B	1
3	AWS6S8	1044003	Bolt, Shift Trip, Hex Head, 3/8-24 x 6 1/2"	1
4	AWS6C6	1044004	Cup, for Shift Trip Bolt	1
5		1044005	Roll Pin, 3/16 x 1 1/8" L	1
6		1044006	Nuts, 3/8-24	5
7	AWS6C8	1044007	Spring, Shift	1
8	AWS6C5	1044008	Spring Retainer, Front, 3/4 ID-1 3/8" OD	1
9	AWS6C2	1044009	Tube, Brass	1
10		1044010	Snap Ring, Brass Tube, #5100-75	1
11	012	1044011	"O" Ring, #012	2
12	AWS6C3	1044012	Piston Head	1
13	AWS6C7	1044013	Piston	1
14		1044014	Flow Control Valve	1
15		1044015	Elbow, 90°, 1/8" Street L	1
16		1044016	Elbow, 90°, 3/400-4	1
17		1044017	Oil Line, Auto Shift, 1/4 OD	1
18		1044018	Nut and Sleeve, Oil Line (Sleeve Not Shown) (Flared Fitting)	1
19		1044019	Hose, Rubber, Protective Cover for Oil Line, Part #1044017 (24"L)	1
20	AMS4D4	1044020	Spring Washer	1
21		1044021	Oil Pressure Gauge, #500-S(USG)	1
22	AMS4D3	1044022	Mounting Bracket, Pressure Gauge	1
23		1044023	Bolt, Hex Head, 3/8-16 x 2 1/2"	2
24		1044024	Washer, Flat, 3/8	2
25		1044025	Elbow, 1/4 x 1/8, 90° Reducer	1
26		1044026	Nut	1
27		1044027	Sleeve (Not Shown — For Part #1044026)	1
28		1044028	Connector, 68F	1
29	BMS4D-2	1044029	Oil Line, 1/8 OD	1
30		1044030	Needle Bearing	2
31		1044031	Cotter Pin, 1/8 x 1"	1
32		1044032	Snap Ring, 5000-162, Retaining	1
33	DWS6S	1044033	Cylinder, Auto-Shift	1
34	AWS6S7	1044034	Cap, Cylinder	1
35	GT 68	1044035	Tee, Brass,	1
36		1044036	Chain, Boston Ladder, 6 Links	1
37		1044037	Spring, #132 Jones	1
38	DWS6TA	1044038	Shift Trip Assembly	1
39		1044039	Retaining Pin, Shift Assembly	1
40		1044040	Cotter Pin	1

**MK 348/MK 528 Figure 4 - Sub Assembly Groups**

REF NBR	ORDER BY PART NBR	INCLUDES
45	1044045	1044001 Through 1044015 and 1044030 Through 1044035