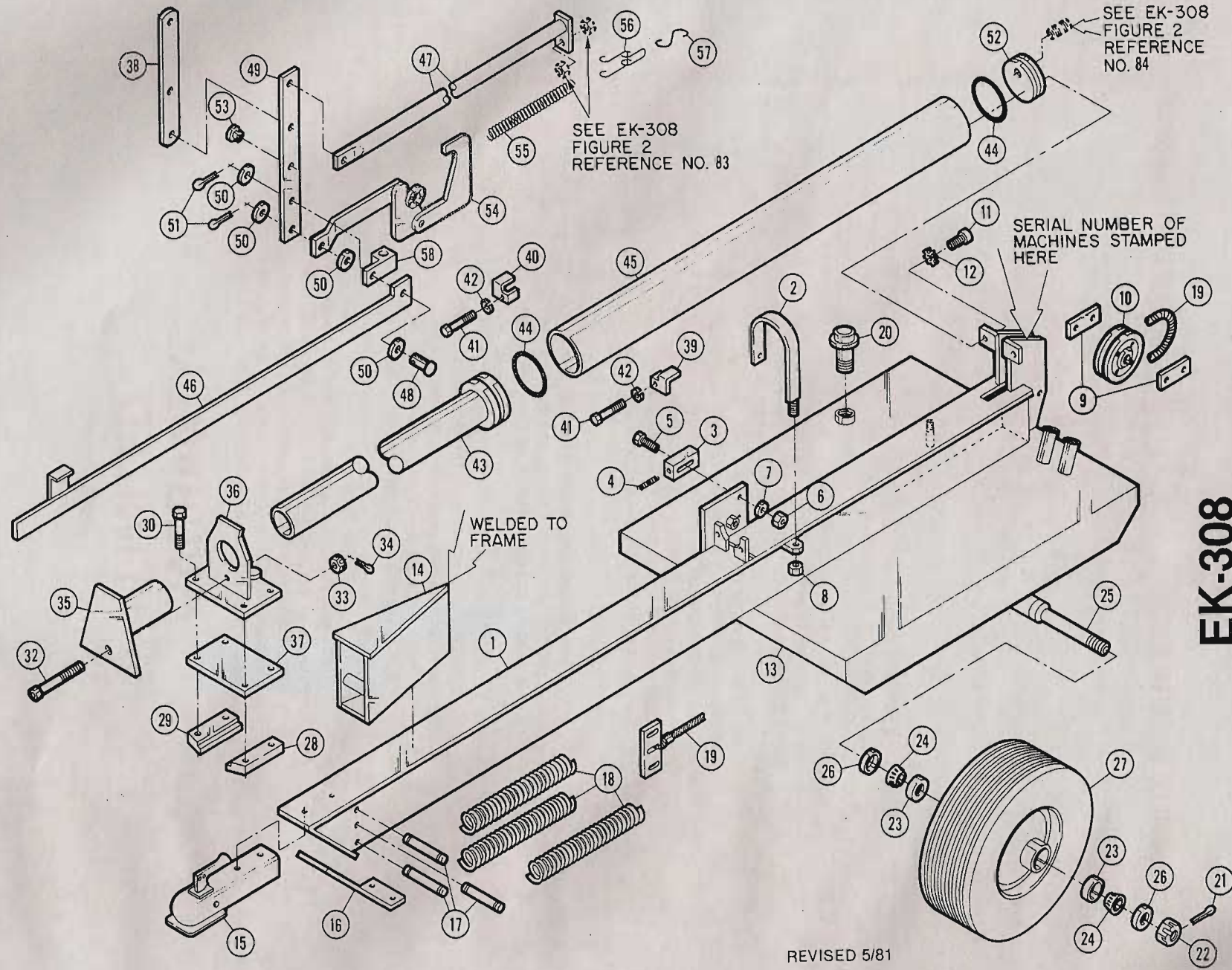


LICKITY LOG SPLITTER

MODEL EK308

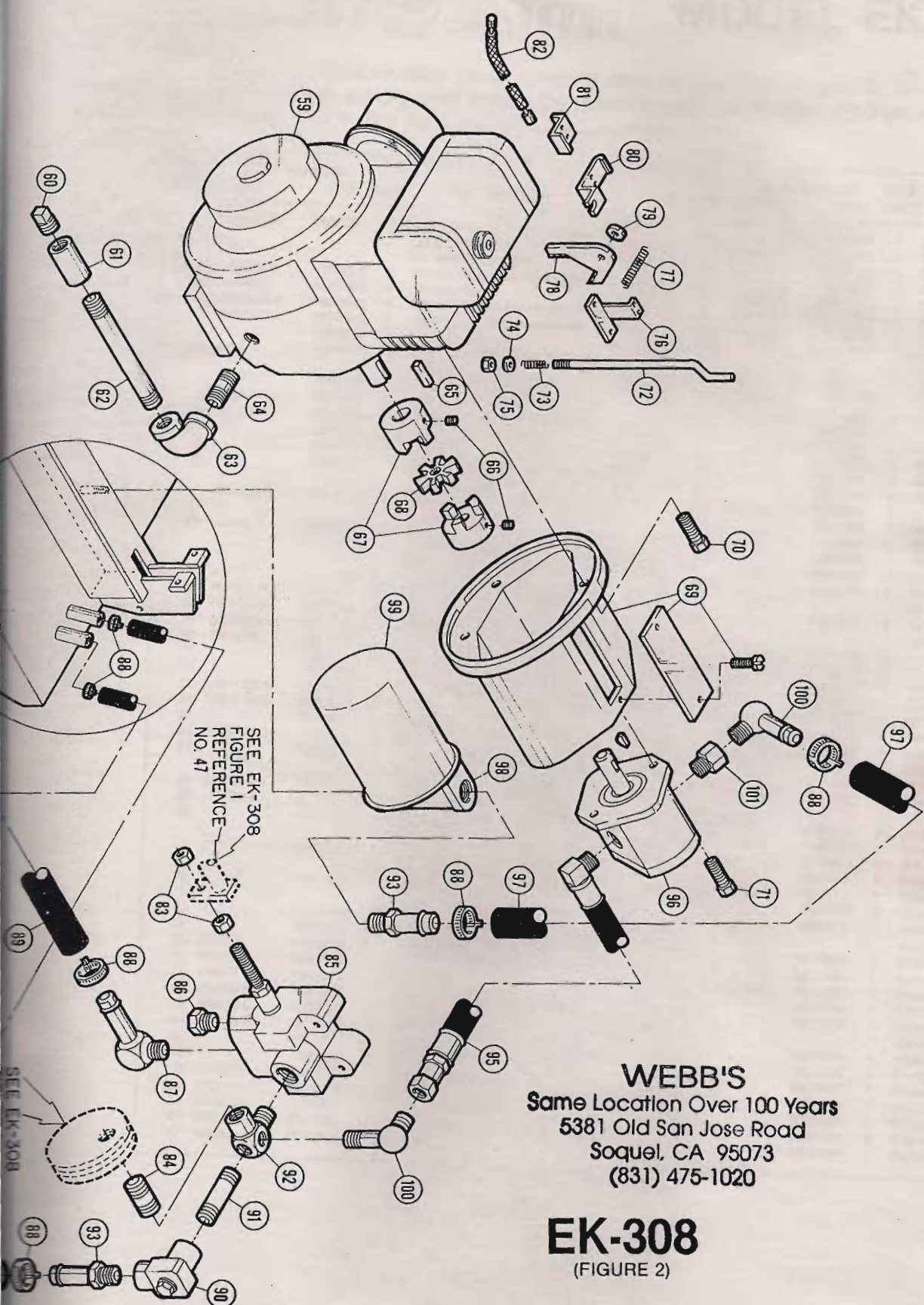
This Parts List refers to older parts numbers used on previous models. To convert older part numbers to new part numbers, simply read across the columns from left to right. Find your Ref. Number, then the Old Part Number, and to the right, the New Part Number.

REF. NO.	PART NUMBER OLD	PART NUMBER NEW	QTY. USED	DESCRIPTION	REF. NO.	PART NUMBER OLD	PART NUMBER NEW	QTY. USED	DESCRIPTION
1	REK2-30	1031001	1	Frame Assy. (Less all bolt on and internal parts — less wedge — less platform)	48		1031048	1	Pin, Flat Head
2	BMS2C5	1031002	1	Strap, Cylinder hold down	49	BWS6A2	1031049	1	Lever, Lower Hand
3	AWS8S	1031003	1	Block, Start	50		1031050	4	Washer, Flat
4	AWS8S-6	1031004	1	Spring, Start Block (#295-300)	51		1031051	2	Pin, Cotter
5	AWS8S-3	1031005	1	Bolt, Start Block retainer	52	BME16	1031052	1	Head Cylinder
6		1031006	1	Nut, 10-32 Lock	53	AWS6A4	1031053	1	Pivot Bushing, Hand Lever
7		1031007	1	Washer, 3/4" OD x 7/32" ID x .065 steel	54	DWS6DA	1031054	1	Latch Assy., control lever return
8		1031008	1	Nut, 5/16"-18 Lock	55		1031055	1	Spring, #130 Jones
9	AWS3H2	1031009	2	Links, Sheave Mount	56		1031056	1	Ladder Chain, #2-1/2 x 6"
10	AWS3G3	1031010	1	Sheave, Ram Return Cable	57	AWS6D2-200	1031057	1	Retainer (for ladder chain)
11		1031011	2	Bolts, 3/8"-16 x 1-1/2"	58		1031058	1	Clamp, throttle cable adjustment
12		1031012	2	Washer, 3/8" Internal Tooth Lock	59		1031059	1	Engine, Kohler 8 h.p.
13		1031013		Platform, Metal, oil reservoir tank (welds to frame)	60		1031060	1	Plug, 1/2" pipe (drain)
14	DME20	1031014	1	Wedge Assy., 9" high (welded to frame)	61		1031061	1	Coupling, 1/2" Galv. pipe (drain)
15	AEK6	1031015	2	Coupler, Hitch (17/8" with ball) Includes bolts, 7/16"—4 x 1-1/4" hex head	62		1031062	1	Nipple, 1/2" x 4" Galv. (drain)
16	AEK5	1031016	1	Cover, Frame End Metal	63		1031063	1	Elbow, 1/2" x 90 Galv. (drain)
17	AWS3H4	1031017	3	Pins, Ram Return Spring	64		1031064	1	Nipple, 1/2"—2-1/4" Galv. (drain)
18	NWS3G4	1031018	3	Springs, Ram Return	65	AWS8P3-200	1031065	1	Key, motor shaft
19	AMS3G-34	1031019	1	Cable Assy., Ram Return	66		1031066	2	Screw, 5/16"—18 set
20	73121AL	1031020	1	Breather Cap, oil reservoir	67		1031067	1	Coupling, 1/2" Galv. pipe (drain)
21		1031021	2	Pins, 1/8" x 2" Cotter	68		1031068	1	Spider, flex, coupling rubber
22		1031022	2	Nuts, 3/4"-20 Castle (special)	69	BMB3	1031069	1	Mount, oil pump (bolts to engine)
23	LM-11910	1031023	4	Races, Wheel Bearing	70		1031070	4	Bolts, 3/8"—16 x 3/4" hex hd. (mount to engine)
24	LM-11949	1031024	4	Bearings, Wheel	71		1031071	2	Bolts, 3/8"—16 x 1-1/4" hex hd. (pump to mount)
25		1031025	1	Axle Assy., (welds to platform)	72	AWS8T5	1031072	1	Rod, Engine Idler
26	178HDR14	1031026	4	Seals, Grease	73	#1	1031073	1	Spring, Jones
27		1031027	2	Tires, 8" (Pneumatic) with wheel (less bearings and seals)	74		1031074	1	Washer
28	AMD3-L	1031028	1	Shoe, Left Ram Guide (brass)	75		1031075	1	Nut, #5-40 Lock
29	AMD3-R	1031029	1	Shoe, Right Ram Guide (brass)	76	AWS8T2	1031076	1	Mount, Idler
30		1031030	4	Shoe Bolts, high tensile, 3/8"-24, hex head	77	301	1031077	1	Spring, Jones
31		1031031	4	Nuts, 3/8"-24 Lock (not shown) (for shoe bolts)	78	AWS8T3	1031078	1	Lever, Idler
32		1031032	1	Screw, 1/2"-13 x 2" Socket hd. cap (drilled for cotter-threaded end)	79	AWS8T4	1031079	1	Pivot & Ball, idler lever
33		1031033	1	Nut, 1/2"-13 Castellated shear	80	AWS8T22	1031080	1	Mount, idler casing
34		1031034	1	Pin, 1/8" x 1-1/2" Cotter	81	AWS8T23	1031081	1	Clamp, idler casing
35	BMC4	1031035	1	Platen Assy., Ram Tube	82	AEK4	1031082	1	Cable & Casing Assy., idler
36	BMC3	1031036	1	Guide Assy., Ram Tube	83		1031083	2	Nuts, 3/8"—16 Lock
37	AMC7	1031037	1	Plate, Bronze wear (under platen)	84		1031084	1	Nipple, 1" x 2-1/2" heavy-duty
38	BWS6A-3	1031038	1	Lever, Upper Hand	85	WS5H	1031085	1	Valve, oil pressure control
39	AMC8-L	1031039	1	Hold Back Clamps, left cylinder	86		1031086	1	Plug, 1" pipe
40	AMC8-R	1031040	1	Hold Back Clamps, right cylinder	87	AN842-17D	1031087	1	Elbow, 1" x 90
41		1031041	2	Bolt, 1/4"-20 x 2-1/2", hex hd.	88		1031088	6	Clamps, hose
42		1031042	2	Washers, 1/4" spring lock	89		1031089	1	Hose, 1" I.D. x 20" long (used with Gresen filter)
43	DME-19	1031043	1	Tube, Ram (less "O" rings)	90		1031090	1	Valve, Relief (1800#)
44	425	1031044	2	Ring, "O" #425	91		1031091	1	Nipple, 1/2" x 2-1/2" extra heavy
45	BMS3B	1031045	1	Cylinder, outer hydraulic	92	AWS5EK	1031092	1	Elbow, Special
46	BME18	1031046	1	Link Assy., Ram out stop	93		1031093	3	Nipple
47	BME4	1031047	1	Link control lever to valve	94		1031094	1	Hose, 5/8" I.D. x 19-1/2" (to relief valve)
					95		1031095	1	Hose, high pressure
					96		1031096	1	Pump, oil
					97		1031097	1	Hose, oil
					98		1031098	1	Adapter, Gresen filter
					99		1031099	1	Filter, Gresen
					100		1031100	2	Elbow
					101		1031101	1	Reduction Bushing



EK-308
(FIGURE 1)

REVISED 5/81



WEBB'S
 Same Location Over 100 Years
 5381 Old San Jose Road
 Soquel, CA 95073
 (831) 475-1020

EK-308
 (FIGURE 2)

numbers to
 then the Old

ever
 over return

6"
 (rain)
 adjustment

pe (drain)
 (drain)
 (drain)
 div. (drain)

x 1" bore
 rubber
 to engine)
 ex hd.

hex hd.

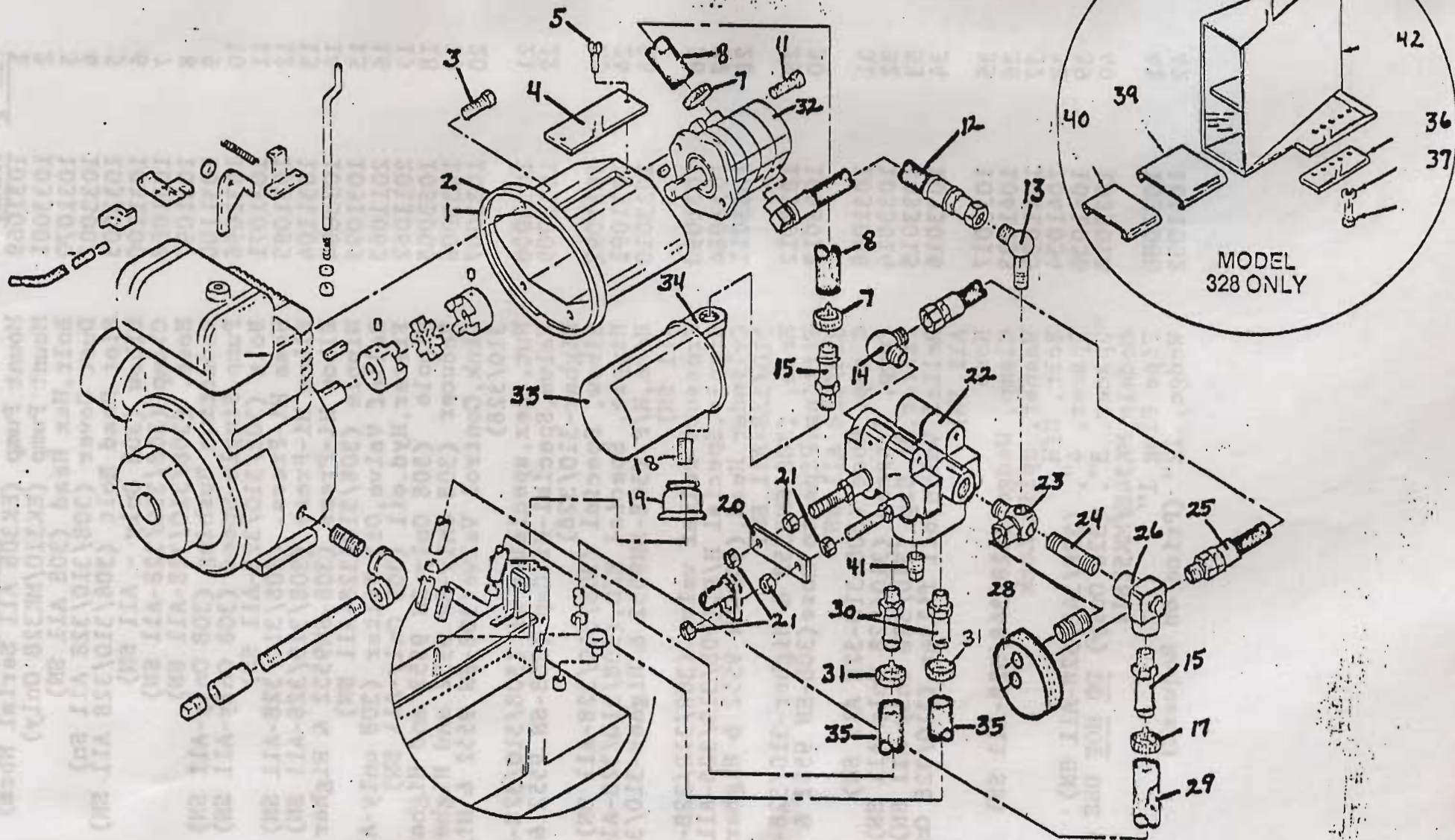
ller

-duty
 ol

used

heavy

o relief



..... FOR EK310 ONLY

Refer to parts lists for correct parts

EFF: 11/1/84

EK308(9552 & Higher) EK310-MK328

#	Part Number	Description	Quantity
1	1031069	Mount Pump (EK308 All Serial Nbrs)	1
2	1033001	Mount Pump (EK310/MK328 Only)	1
3	1031070	Bolt, Hex Head (308 All SN)	4
4	1033002	Dust Cover (308/310/328 All Sn)	1
5	1033003	Slot Head Bolt (308/310/328 All SN)	2
6	1031100	Elbow (308 Only - All SN)	1
7	1031088	Clamp (308/310/328-All SN)	2
8	1031097	Hose, (308/310/328-All SN)	1
9	1031100	Reduction Bushing (308 Only-All SN)	1
10	1031096	Pump-Single Speed (308 Only-All SN)	1
11	1031071	Bolt (308/310/328-All SN)	2
12	1031095	Hose Hi-Press. (308/310/328-All SN)	1
13	1031104	Elbow Hi-Press. (308/310/328-All SN)	1
14	1033004	Elbow Hi-Press (308-SN9552 & Higher 310/328)	1
15	1031093	Nipple (308/310/328-All SN)	2
16	2011063	Relief Valve, Oil Filter (308 only-All SN)	1
17	2011062	Filter, Hyd. oil (308 Only-All SN)	1
18	1033005	Nipple (308 Only-SN 9552 and Higher)	1
19	1033006	Reducer (308 Only-SN 9552 and Higher)	1
20	1033007	Link, Control Valve (308-SN 9552 & Higher-310/328)	1
21	1033008	Nut, flex, special- $\frac{1}{2}$ sz (308/310/328-All SN)	5
22	1033009	Valve, Special-Hi Cap (308-SN 9552 & Higher-310/328)	1
23	1031092	Elbow, Special (308/310/328-All SN)	1
24	1031091	Nipple, Special H/D, (308/310/328-All SN)	1
25	1033010	Hose, H/P (308-SN9552 & Higher-310/328-All SN)	1
26	1031090	Pressure relief valve (308/310/328-All SN)	1
27	1031084	Nipple, Special H/D, (308/310/328-All SN)	1
28	1033011	Cylinder Head, (308-SN 9552 & Higher-310/328-All SN)	1
29	1033012	Hose, (308-SN9552 & Higher-310/328-All SN)	1
30	1033013	Fitting, Pipe to hose (308-SN 9552 & Higher 310/328 All SN)	2
31	1031088	Clamp, Hose (308-310-328 All SN)	4
32	1033014	Pump, 2 speed (310/328 Only-All SN)	1
33	1033015	Filter, Hi Cap (310/328 Only-All SN)	1
34	1033016	Relief Valve, oil filter (310/328 Only-All SN)	1
35	1033017	Hose	2
36	1041033	Clamp, Wedge (328/348/528-All SN)	2
37	1041035	Washer, Split Lock	10
38	1041034	Bolt, H/H	10
39	1041036	Spacer, 4", (328/348/528-All SN)	1
40	1033018	*Spacer, 3", (328 Only) <u>DO NOT</u> USE ON Models MK348/MK528!!	1
41	1031086	Pipe Plug 1"	2
42	1041032	Wedge, 12" (Price on Request)	