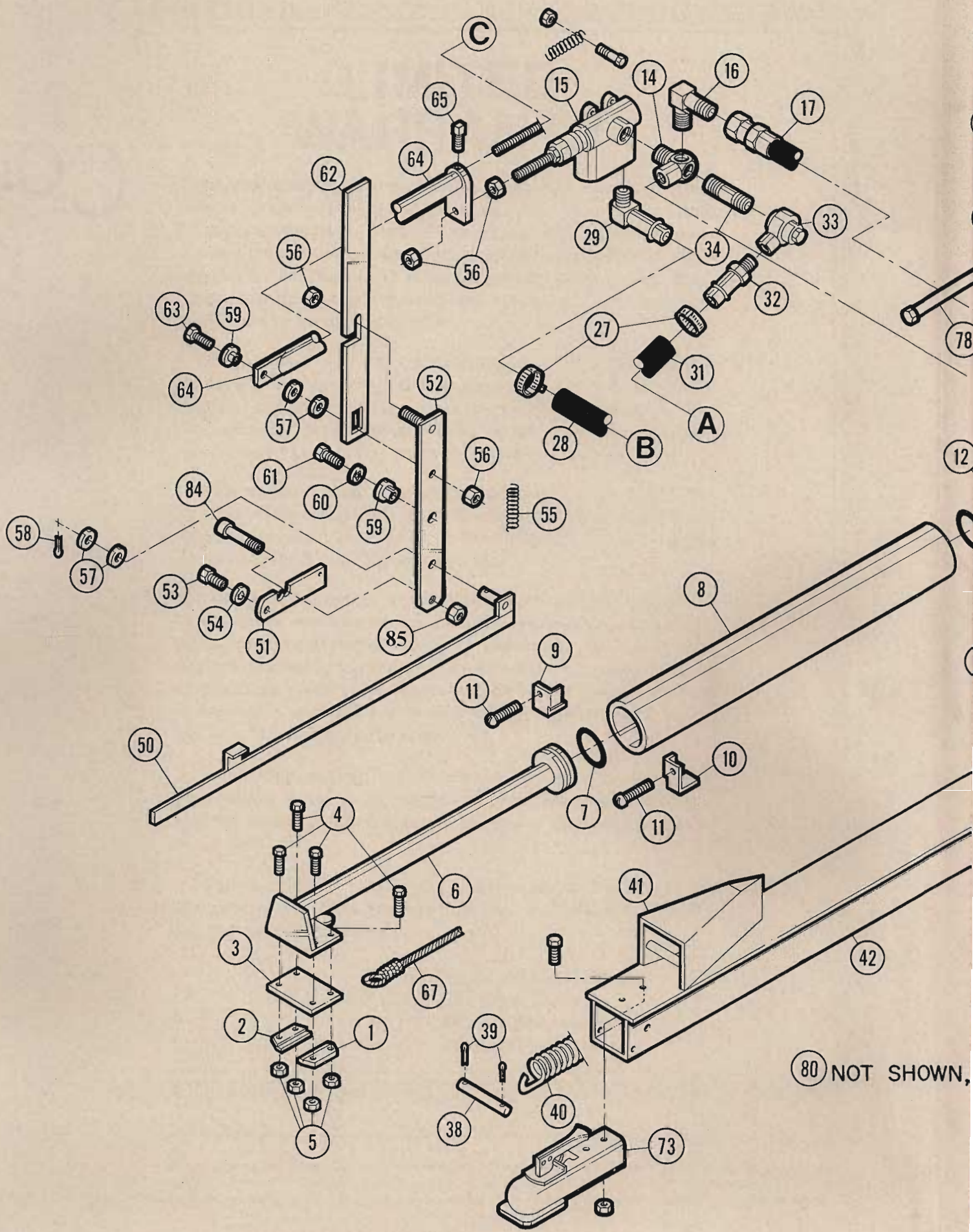
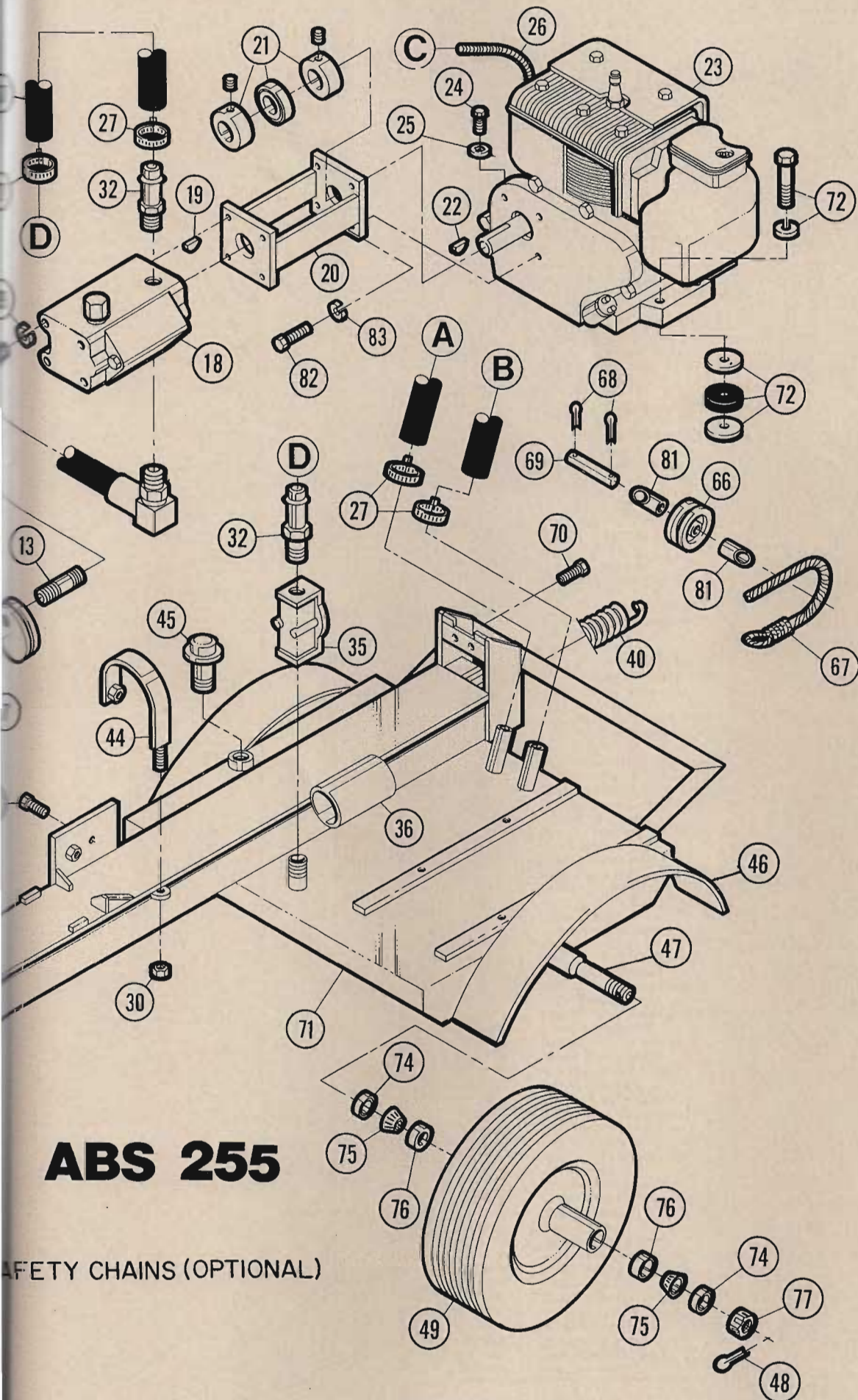


LICKITY SPLITTER MODEL ABS255

REF NBR	OLD PART NUMBER	NEW PART NUMBER	ABS 255 Figure 1 DESCRIPTION	QTY USED
1	25A-27L	1021001	Shoe, Left Ram Guide (Brass)	1
2	25A-27R	1021002	Shoe, Right Ram Guide (Brass)	1
3	25A-28	1021003	Plate, Brass Wear	1
4		1021004	Bolt, 3/8"-24, Hex Head	4
5		1021005	Nut, 3/8"-24 Lock	4
6	25A-23	1021006	Ram Assy., Complete (less "O" ring)	1
7	337	1021007	Ring, "O" (for ram & cylinder head)	2
8	25A-22	1021008	Cylinder, Hydraulic	1
9	AMC8-L	1021009	Hold Back Clamp, right cylinder	1
10	AMC8-R	1021010	Hold Back Clamp, left cylinder	1
11		1021011	Screws, 1/4"-20x2 1/2" Hex Head Cap	2
12	25A-24	1021012	Head, cylinder	1
13		1021013	Nipple, 3/4" x 2 1/2" straight (H.D.)	1
14		1021014	Elbow, 3/4" Lenz (H.D.)	1
15		1021015	Valve, Control (S-75)	1
16		1021016	Elbow, 3/8"-8-90 Hose	2
17		1021017	Hose, High Pressure	1
18		1021018	Pump, 2 Stage	1
19		1021019	Key, 1/4" woodruff (for pump shaft)	1
20	25A-15	1021020	Mount, Pump	1
21		1021021	Coupling, 1/2"x3/4" bore flexible	1
22		1021022	Key, 1/4" (for engine shaft)	1
23		2011051	Engine, Briggs & Stratton, 5 h.p.	1
24		1021024	Bolts, 5/16"-18x1 3/4" Hex Head	4
25		1021025	Lockwashers, 5/16" spring	4
26	25A-68	1021026	Cable & Housing Assy., Throttle	1
27		1021027	Clamp, (3/4")	6
28		1021028	Hose, 3/4" ID oil, Low pressure	1
29		1021029	Elbow, 440S-12	1
30		1021030	Nut, 5/16"-18 Lock	1
31	25A-56	1021031	Hose, Relief Valve to tank	1
32		1021032	Nipple, 10 TPN	3
33	25A-21	1021033	Valve, Relief (2000#) WS-50	1
34		1021034	Nipple, 1/2" x 2 1/2" H.D. pipe	1
35		1021035	Filter relief head	1
36		1021036	Filter	1
37		1021037	Hose, #710 (Filter to Pump)	1
38	25A-33	1021038	Pin, Ram return spring retainer	1
39		1021039	Pins, 1/2" x 1 1/2" cotter	2
40	25A-69	1021040	Spring, Ram return	1
41	25A-11	1021041	Wedge Assy., 9" (welds to frame)	1
42	25A-14	1021042	Frame Assy., (includes wedge & oil tank)	1
43		1021043	Bolt, 5/16"-18 x 3/4"	1
44	25A-29	1021044	Strap Assy., cylinder hold down	1
45	25A-48	1021045	Breather Cap, Oil Tank	1
46	25A-41	1021046	Fender, Wheel (Welds to pan)	2
47	25A-34	1021047	Axle Assy., wheel (welds to pan)	2
48		1021048	Pin, 1 1/2" x 1 1/2" cotter	2
49		1021049	Tire, 8" pneumatic with wheel	2
50	25A-12	1021050	Link, Outstop	1
51	25A-21	1021051	Latch, Control Lever	1
52	25A-25	1021052	Lever, Lower Hand	1
53		1021053	Bolt, 5/16"-18 x 3/4" Hex Head	1
54		1021054	Bushing, Latch (fits inside of Latch Control Lever)	1
55		1021055	Spring, Latch Control	1
56		1021056	Nut, 3/8"-16, Lock	4
57		1021057	Washers, 3/8" ID x 3/8" OD flat	2
58		1021058	Pin, 3/32 x 1" cotter	1
59	AWS6A4	1021059	Pivot Bushing for control lever	1
60		1021060	Lock Washer	1
61		1021061	Bolt, 3/8"-16 x 1 1/4" Hex Head (for pivot bushing)	1
62		1021062	Lever, Upper Hand	1
63		1021063	Bolt, 3/8"-16 x 1 1/4" Hex Head (Upper Hand Lever)	1
64	25A-12	1021064	Arm Assy., In-out Control	1
65		1021065	Screw, 10-24x1/2" set	1
66	25A-32	1021066	Sheave, (Cable Pulley)	1
67	25A-70	1021067	Cable Assy., Ram Return	1
68		1021068	Pin, Cotter (3/8" x 1 1/4")	1
69	25A-33	1021069	Axle Pin sheave for Part #1021066	1
70		1021070	Bolt, 3/8"-16 x 3/4" Soc. Hd.	1
71	25A-35	1021071	Oil Reservoir Tank	1
72		1021072	Engine Motor Mounts	4
73		1021073	Trailer Hitch 1 1/2" (includes ball)	1
74		1021074	Seal, Grease	2
75		1021075	Bearing, Wheel	2
76		1021076	Races, Wheel Bearing	2
77		1021077	Nuts, Castellated, Special	2
78		1021078	Bolts, Pump to Pump Mount	4
79		1021079	Washer, Split Lock	4
80		1021080	Safety Chains, w/Snap Lock	2
81		1021081	Sleeves, Axle Pin Sheave	2
82		1021082	Bolt, Pump Mount to Engine	4
83		1021083	Washer, Split Lock	4
84		1021084	Bolt, Shoulder, Special	1
85		1021085	Nut, Hex Head	1





ABS 255

SAFETY CHAINS (OPTIONAL)

REVISED 10-80